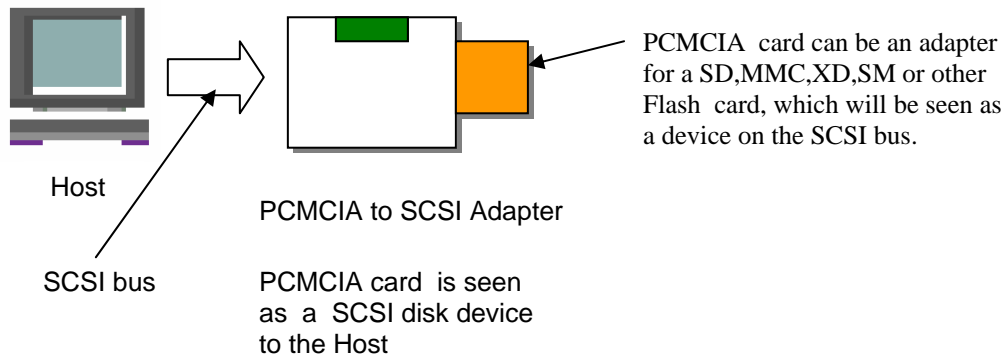


### Flash card to SCSI Adapter



Peripheral Visions **Flash2SCSI** printed circuit board allows a PCMCIA connected Flash Card of virtually any type to be attached to a regular SCSI bus. It will be seen as a SCSI drive by the Host Computer. The Flash card can be an SD, MMC, Memory Stick, XD, CF, or Microdrive, and is attached to the PCMCIA header via a suitable adapter.

PCMCIA eject header (mounted on underside)



- Small format PCB converts PCMCIA connected Flash Media to appear as a SCSI device on a Host's SCSI bus.
- Flash media can be SD, MMC, XD, CF, Memory Stick, or Microdrive, and is connected using one of the readily available PCMCIA adapters.
- The SCSI Host will typically see the device as a removable disk drive.
- Board is low power, using 5V only, and has an LCD display and pushbutton as a user interface.
- Supports PCMCIA types 1,2 & 3.

#### Specifications

Board size: 115mm x 120mm.

PCMCIA Eject header for Type 1,2 & 3 cards

Power: 5 Volts only @ 1.2 Watt (Typical) + PCMCIA adapter requirement.

Power connector: Mini Floppy type

LCD Display: 2X16 backlit display with push button (mounted externally) for SCSI set-up, real time activity display and real-time diagnostics.

RS232 Serial Port for microcode load and real time diagnostics.

Contact: sales@peripheral-vision.com